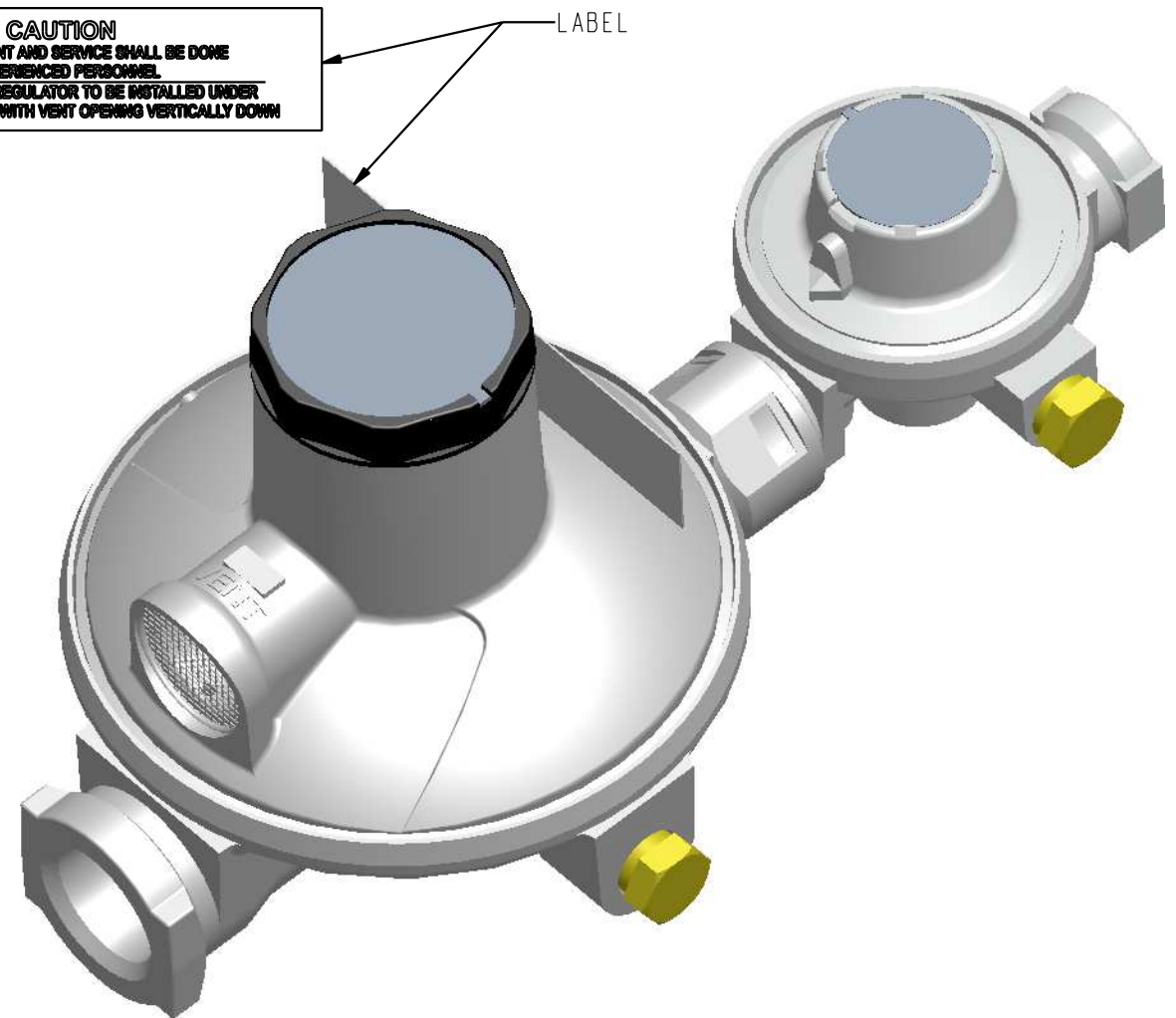
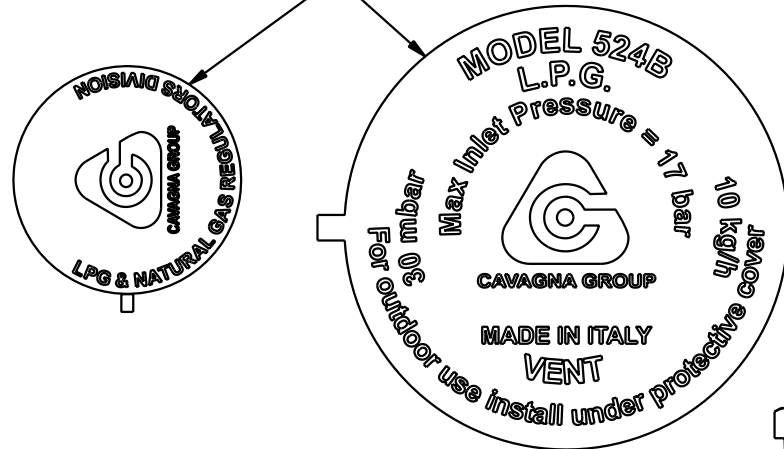


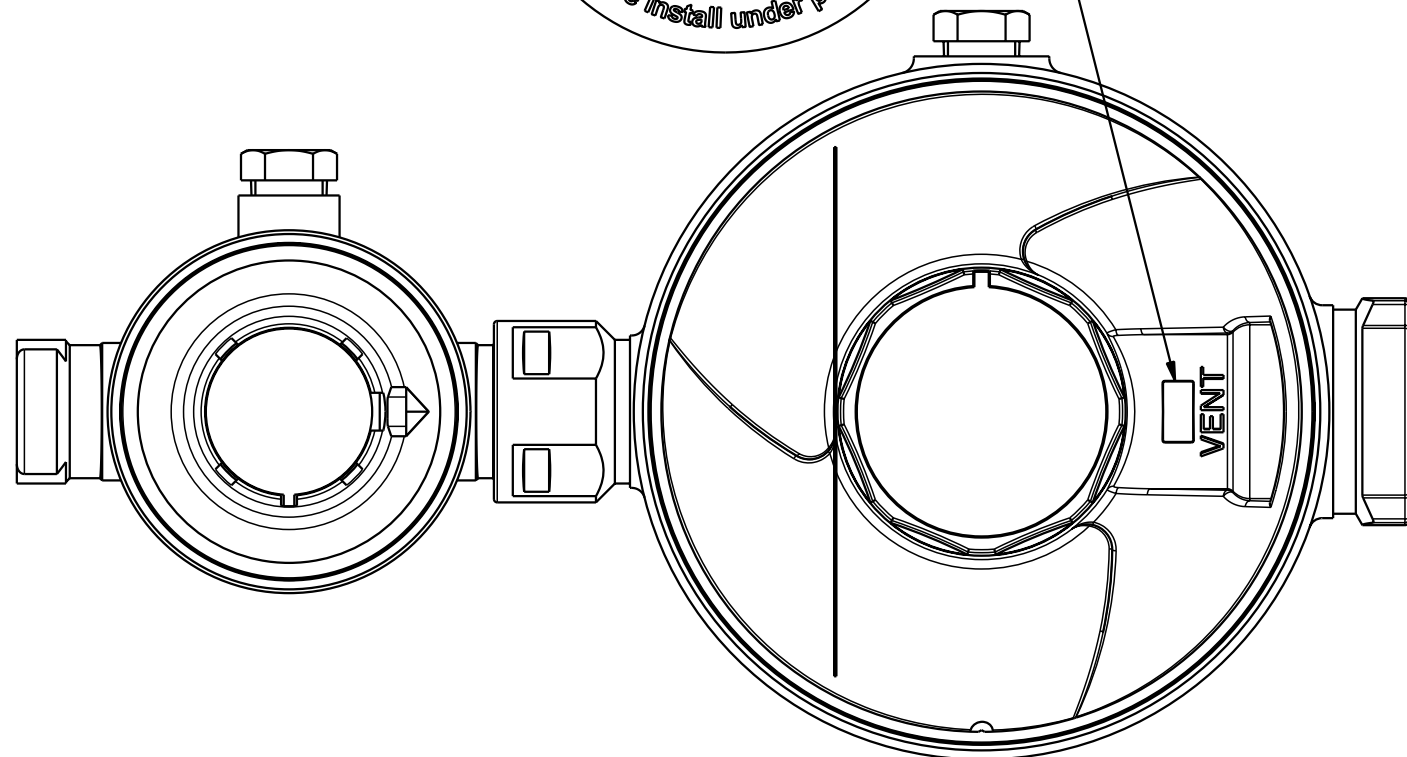
**CAUTION**  
 ALL ADJUSTMENT AND SERVICE SHALL BE DONE  
 BY EXPERIENCED PERSONNEL.  
 FOR OUTDOOR USE REGULATOR TO BE INSTALLED UNDER  
 PROTECTIVE COVER OR WITH VENT OPENING VERTICALLY DOWN



NAMEPLATE



TO STAMP THE PROGRESSIVE NUMBER  
 OF WEEK AND YEAR



NO	NO PRODUCT	DENOMINATION	Q. TY
1	73-1-950-0053	S/A SECOND STAGE REGULATOR	1
2	16-4-950-0037	S/I CORPO LIMITATORE E DI TENUTA-TWIN	1
3	07-1-210-0005	MOLLA PER BILLE LIMITEUR	1
4	17-1-110-0015	BILLE LIMITEUR	1
5	04-1-110-0521	ANELLO TOROIDALE	1
6	91-1-950-0022	S/I REGOLATORE A.P. USA	1
7	34-1-310-0261	SELF-ADHESIVE LABEL NZ	1
8	34-1-110-0979	INSTRUCTION FOR TYPE 524B	1
9	23-1-210-0064	STANDARD SINGLE BOX	1
10	23-1-510-0008	STANDARD BOX (R37)	1

	<b>DENOMINATION</b>						
	DOUBLE STAGE LOW PRESSURE REGULATOR TYPE 524B    LPG    30 mbar    10 kg/h						
RECA	MODEL 524	ORIFICE N.A.	INLET 1/4" NPT FEMALE		OUTLET 1/2" NPT FEMALE	SHARED N.A.	PROD. INT. GROUP -
PERFORMANCE DOC. 623	COUNTRY ISRAELE	COUNTRY SPECIFIC UL 144	WEIGHT -	SCALE 1:1	MODIFY FILE N.A.	PRODUCT NO 52-1-490-0058	
PROG. EVOLUTION DEFINITIVE	PROJECT NO DS06187	RELEASE LEVEL APPROVED	DRAWN BY PEDRINI M.	VERIFIED BY TOMASELLI L.	APPROVED BY SCHLICK B.	DATE 07/02/18	REV 0